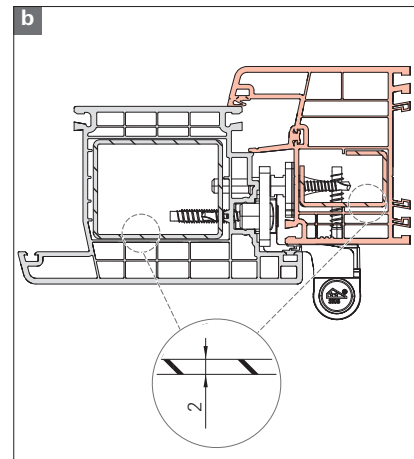
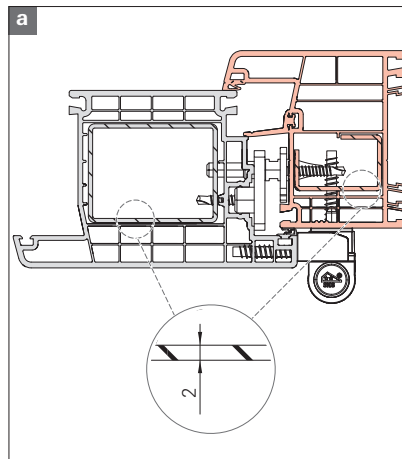
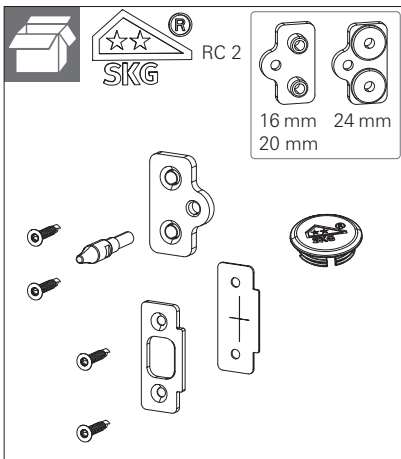


Roto Solid B | 222 P

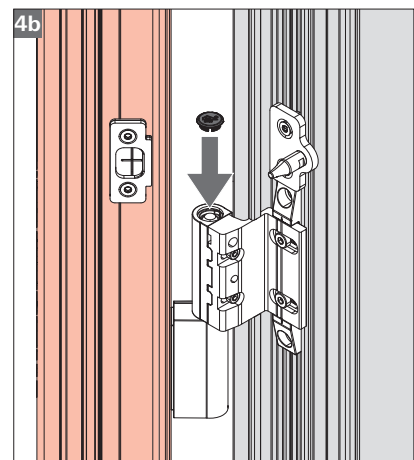
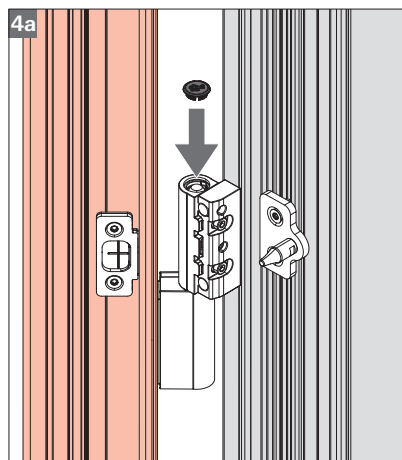
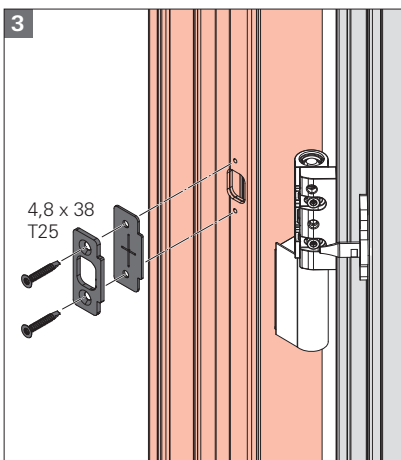
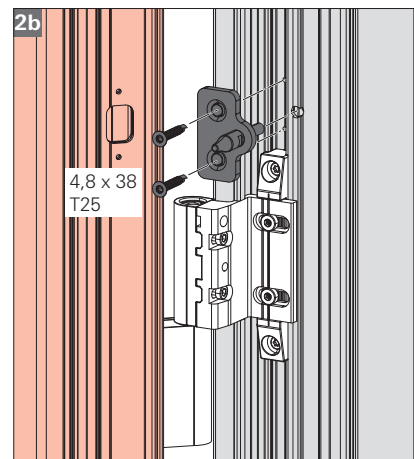
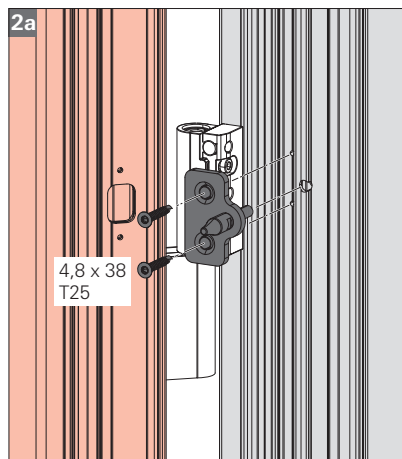
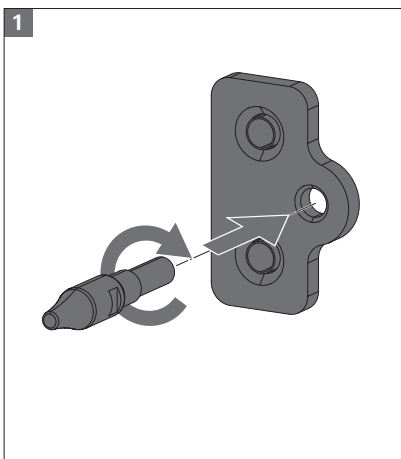
Hinge retaining mechanism



i **INFO**
Note the routing drawing.

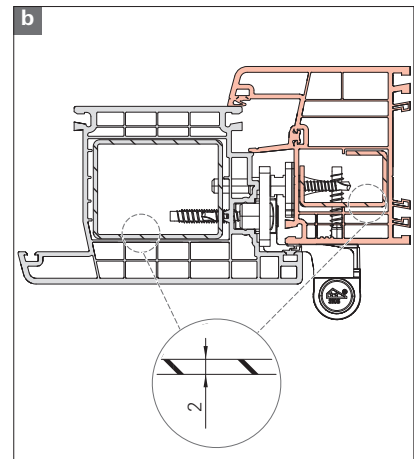
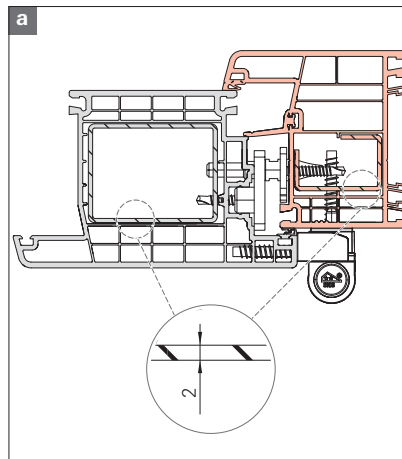
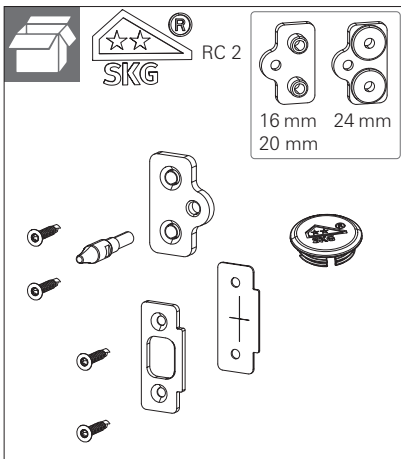
i **INFO**
SKG**

- Hinge retaining mechanism only required for outward opening doors.
- For SKG, use 3 or more hinges.



Roto Solid B | 322 P

Hinge retaining mechanism



i **INFO**
Note the routing drawing.

i **INFO**
SKG**

- Hinge retaining mechanism only required for outward opening doors.
- For SKG, use 3 or more hinges.

