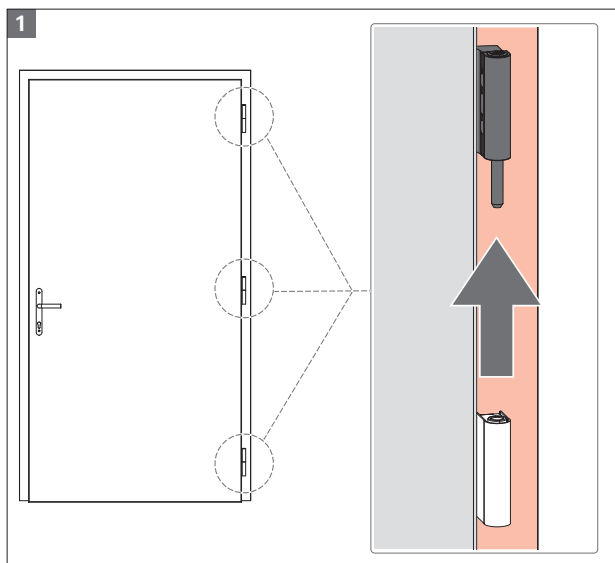
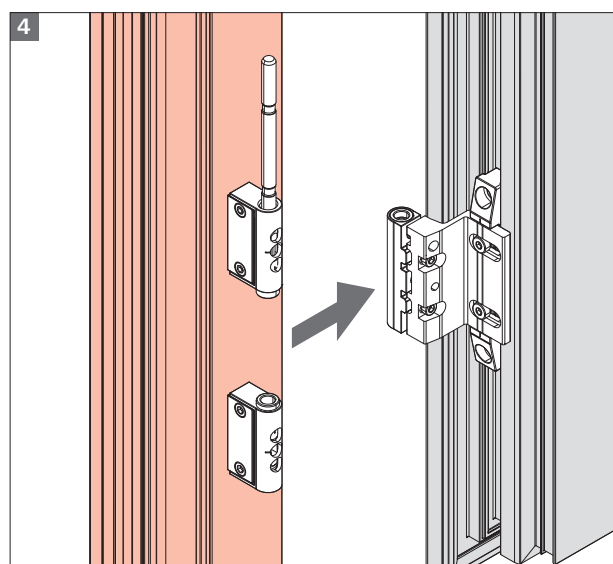
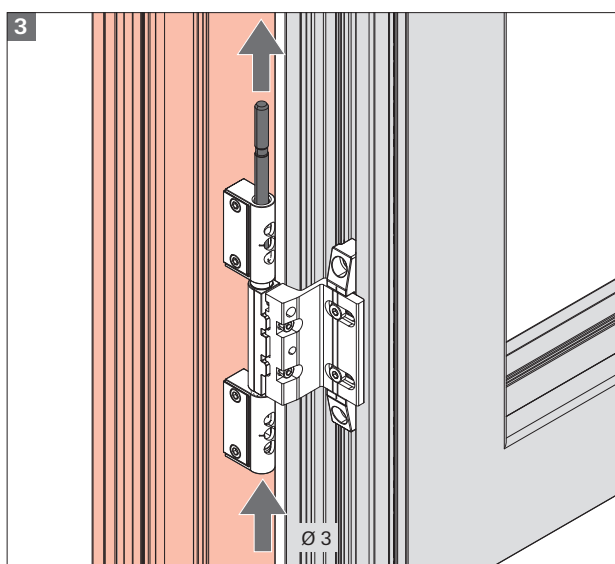
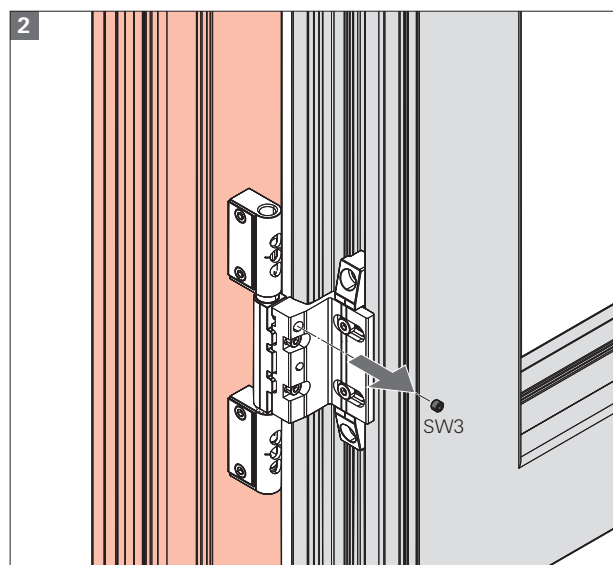
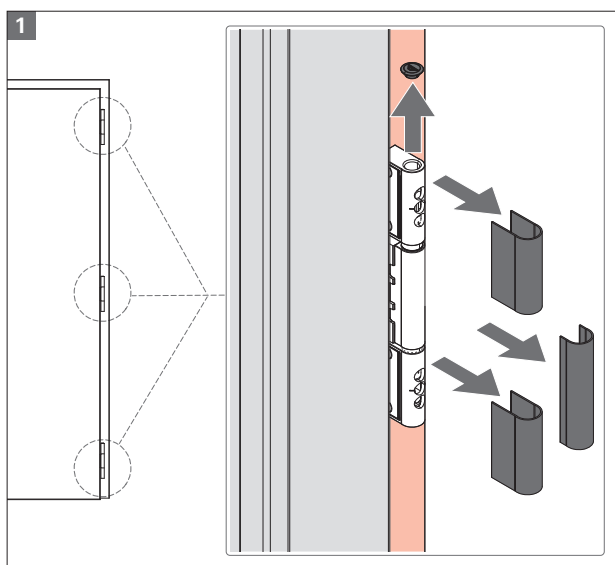


218 P, 222 P



318 P, 322 P

Rebate-screwed



318 P, 322 P

Overlap-screwed

