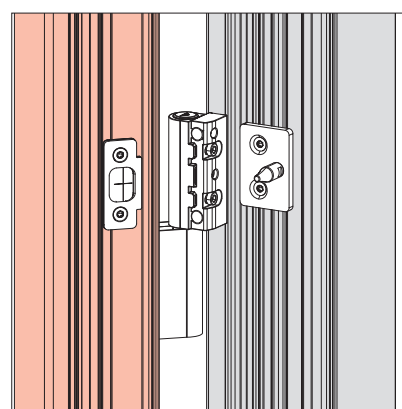
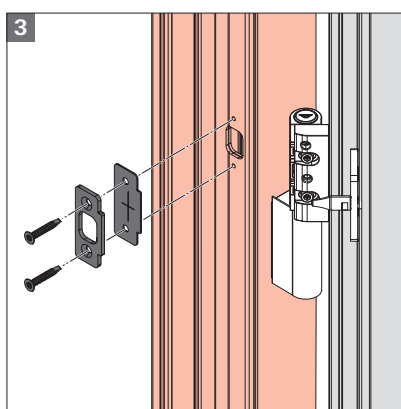
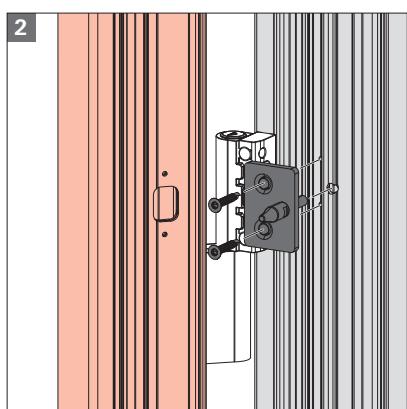
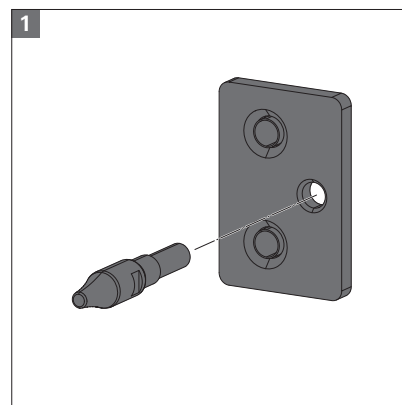
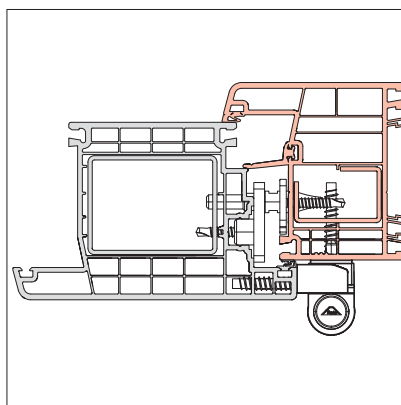
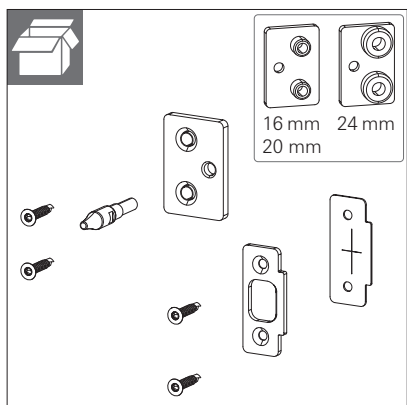


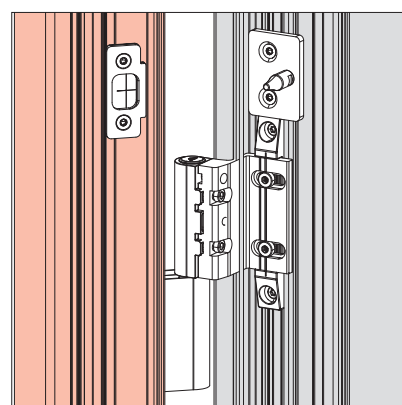
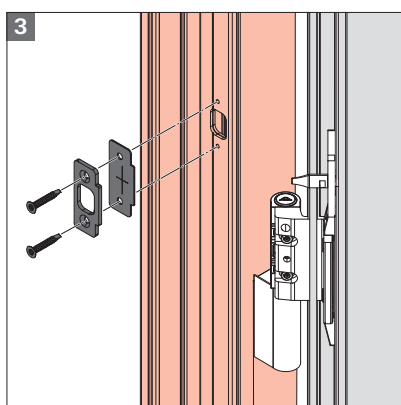
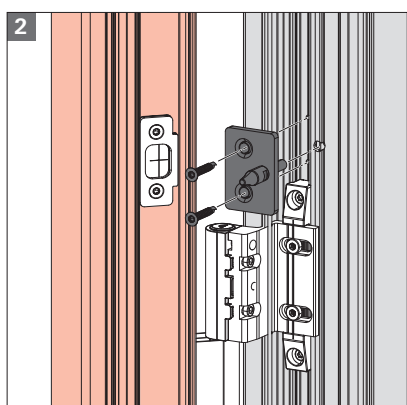
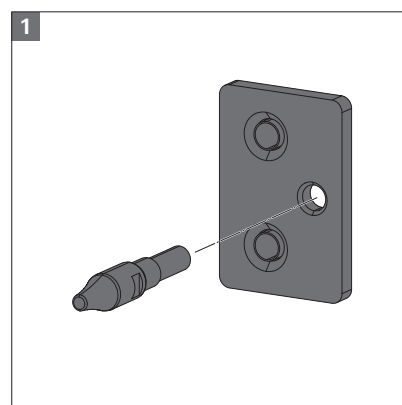
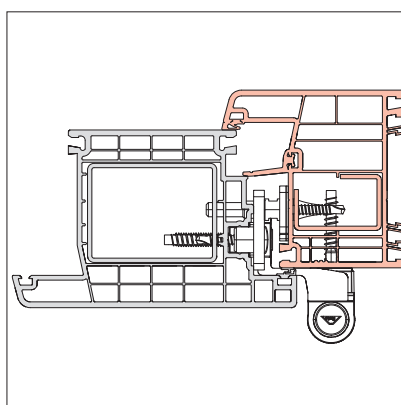
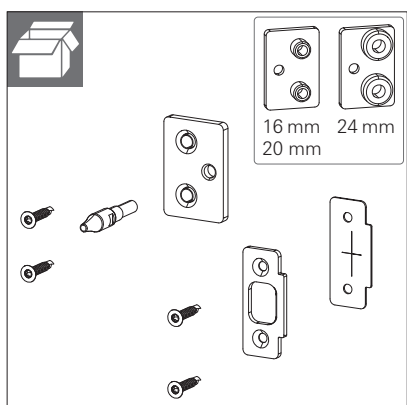
# Roto Solid B | 222 P

## Hinge retaining mechanism

### Overlap-screwed



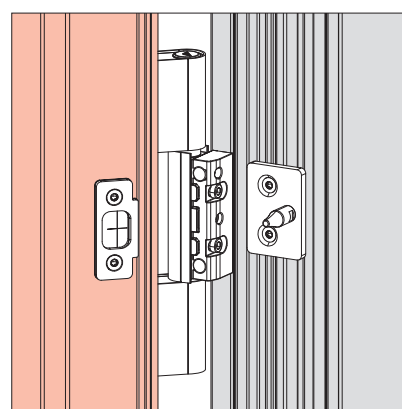
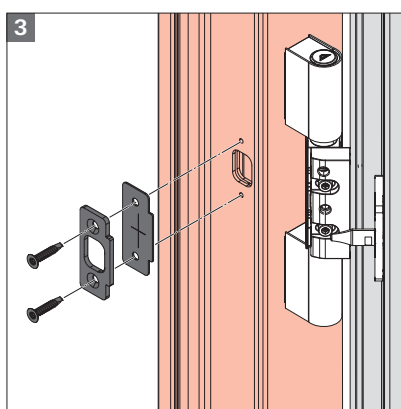
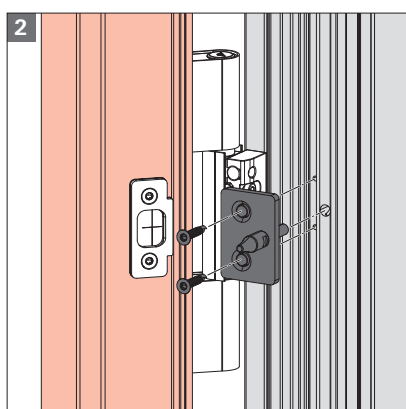
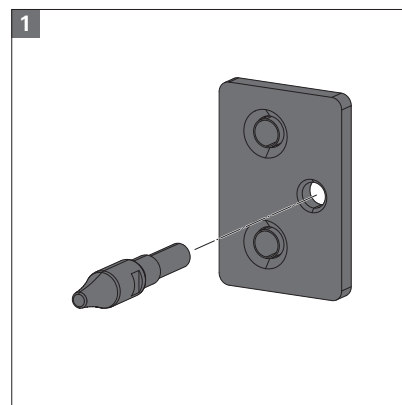
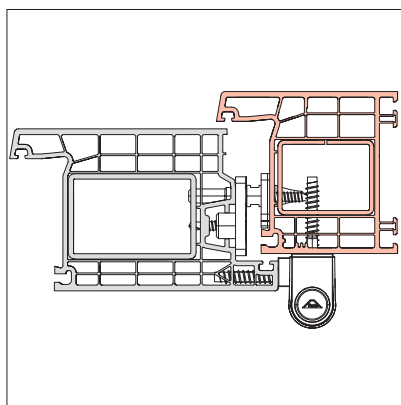
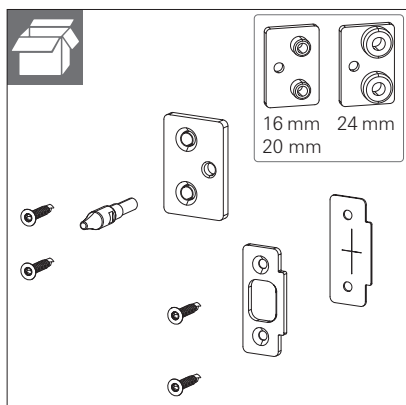
### Rebate-screwed



# Roto Solid B | 322 P

## Hinge retaining mechanism

### Overlap-screwed



### Rebate-screwed

